

DUPROLUX®
LIGHTING

High Intensity Discharge Lamps



MERKUR®
GERMAN TECHNOLOGY

Contents

■ High Intensity Discharge Lamps	4
■ Pulsar Metal Halide Lamps 6	6
■ Enclosed Pulsar Metal Halide Lamps	7
■ Standard Metal Halide Lamps	8
■ Enclosed Metal Halide Lamps	13
■ Metal Halide Lamps	14
■ Greenhouse Metal Halide Lamps	15
■ Color Metal Halide Lamps	16
■ Greenhouse Dual Arc Tube	17
■ Aquaristic Metal Halide Lamps	18
■ High Pressure Sodium Lamps	19
■ High Lumen High Pressure Sodium Lamps	21
■ Retrofit Mercury-Ballasted Sodium Lamps	22
■ Greenhouse High Pressure Sodium Lamps	23
■ Self-Ballasted Mercury Lamps	24
■ High Pressure Mercury Lamps	25

Lighting



Ulrich Scheller
Export Manager

For over 100 years – since the time of Werner von Siemens – German Technology is renown for outstanding innovation and technical leadership. **MERKUR**® Ueberseehandel GmbH is committed to this long tradition.

Under **MERKUR**® German Technology we develop and produce warranted, durable high quality products in the following segments:

- Electrotechnology
- **DUPROLUX**® Lighting
- Metering
- Power Distribution
- Climatisation
- Renewable Energy

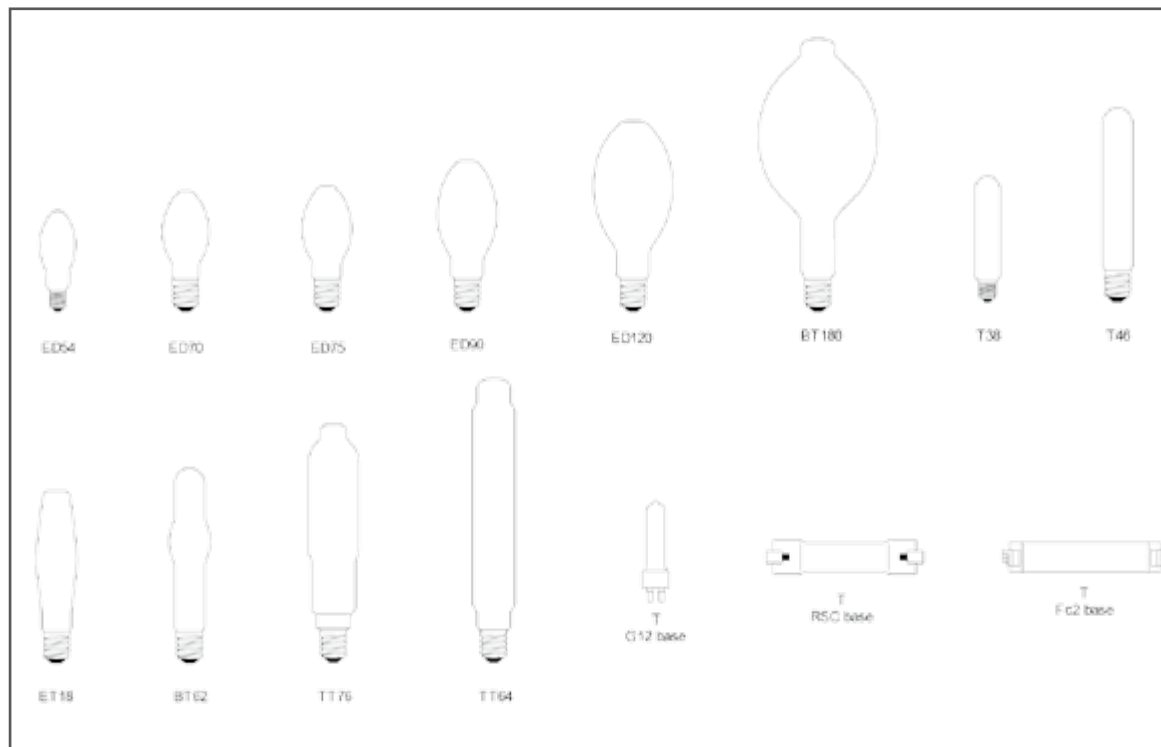
MERKUR® clients worldwide can rely on our vast experience. We offer authorised distributors competitive prices better allowing them to compete in the market. We also successfully cooperate with contractors who are bidding for public utility tenders.

MERKUR® is a reliable partner with a tradition of providing individually tailored products and solutions in accordance with customers' needs. Contact us and we gladly assist you with more details about our products and services. Get in touch with us!

Export Manager

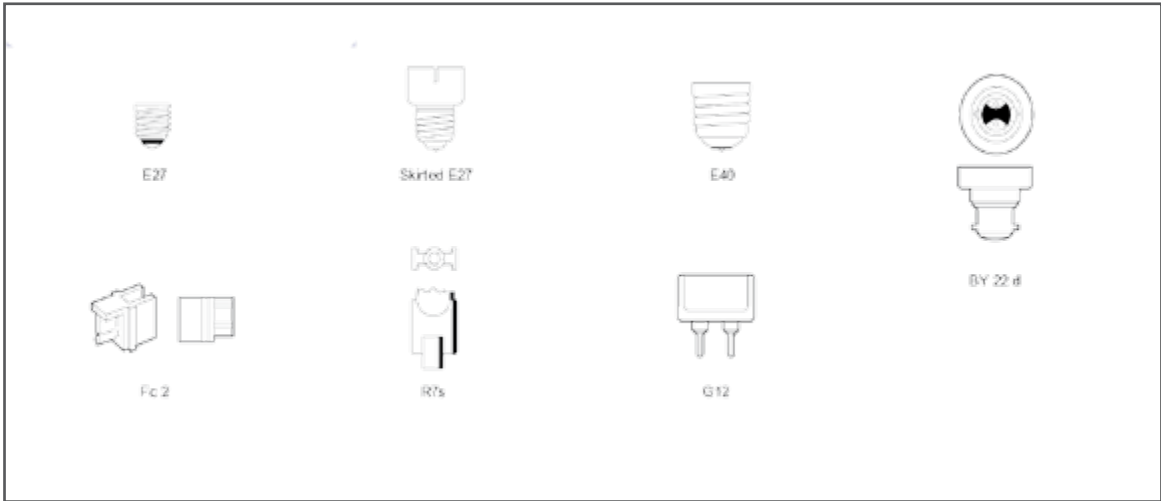
High Intensity Discharge Lamps

GLASS SHAPES

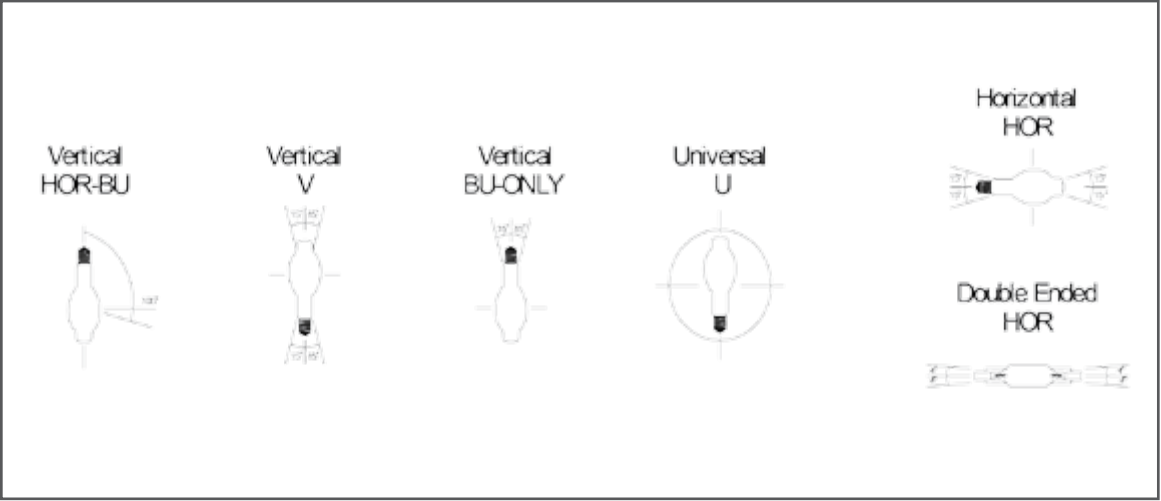


High Intensity Discharge Lamps

SOCKETS



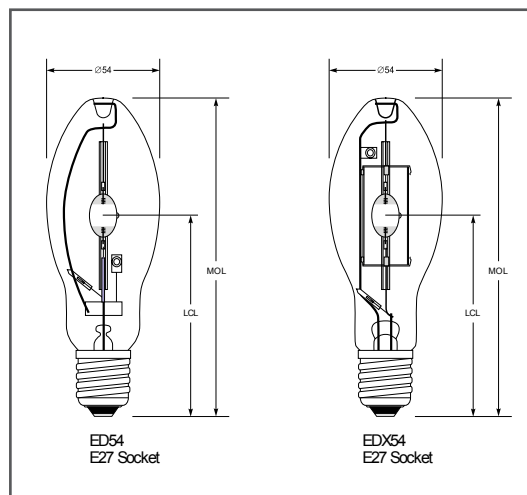
SOCKETS



Pulsar Metal Halide Lamps

PULSAR METAL HALIDE LAMPS

- Pulse Start technology
- White light
- Good and stable color rendering as lamps age
- Faster hot re-strike
- Excellent lumen maintenance
- Enclosed fixture only



Rated Power	Glass Type	Socket	Matchcode	Packing Unit	Packing Finish	Dimensions		Lumens Initial (lm)	Lifetime (Avg Hrs)	Color		Article No.
						MOL (mm)	LCL (mm)			Temp (K)	CRI	
PULSAR Metal Halide Lamps - E27 Socket, Enclosed Rated												
50	ED54	E27	MI-E50/ED54/U/PS/4K	12	Clear	141	89	3400V/3100H	10000V/7500H	4000	65	T11617282514
			MI-E50/ED54/C/U/PS/4K	12	Coated	141	89	3200V/2900H	10000V/7500H	3700	70	T11617283514
70	ED54	E27	MI-E70/ED54/U/PS/4K	12	Clear	141	89	5600V/5000H	15000V/11250H	4000	65	T11817282514
			MI-E70/ED54/C/U/PS/4K	12	Coated	141	89	5300V/4800H	15000V/11250H	3700	70	T11817283514
100	ED54	E27	MI-E100/ED54/U/PS/4K	12	Clear	141	89	9000V/8100H	15000V/11250H	4000	65	T12117282514
			MI-E100/ED54/C/U/PS/4K	12	Coated	141	89	8500V/7700H	15000V/11250H	3700	70	T12117283514
150	ED54	E27	MI-E150/ED54/U/PS/4K	12	Clear	141	89	14000V/12600H	15000V/11250H	4000	65	T12617282514
			MI-E150/ED54/C/U/PS/4K	12	Coated	141	89	13300V/12000H	15000V/11250H	3700	70	T12617283514
PULSAR Metal Halide Lamps - E27 Socket, Open Rated												
70	EDX54	E27	MP-E70/EDX54/U/PS/4K	12	Clear	141	89	5300V/4800H	15000V/11250H	4000	65	T11817582514
			MP-E70/EDX54/C/U/PS/4K	12	Coated	141	89	5000V/4500H	15000V/11250H	3700	70	T11817583514
100	EDX54	E27	MP-E100/EDX54/U/PS/4K	12	Clear	141	89	8500V/7700H	15000V/11250H	4000	65	T12117582514
			MP-E100/EDX54/C/U/PS/4K	12	Coated	141	89	8100V/7300H	15000V/11250H	3700	70	T12117583514
150	EDX54	E27	MP-E150/EDX54/U/PS/4K	12	Clear	141	89	13300V/12000H	15000V/11250H	4000	65	T12617582514
			MP-E150/EDX54/C/U/PS/4K	12	Coated	141	89	12600V/11300H	15000V/11250H	3700	70	T12617583514

Dimensions are given in millimetres unless noted otherwise please dispose responsibly.

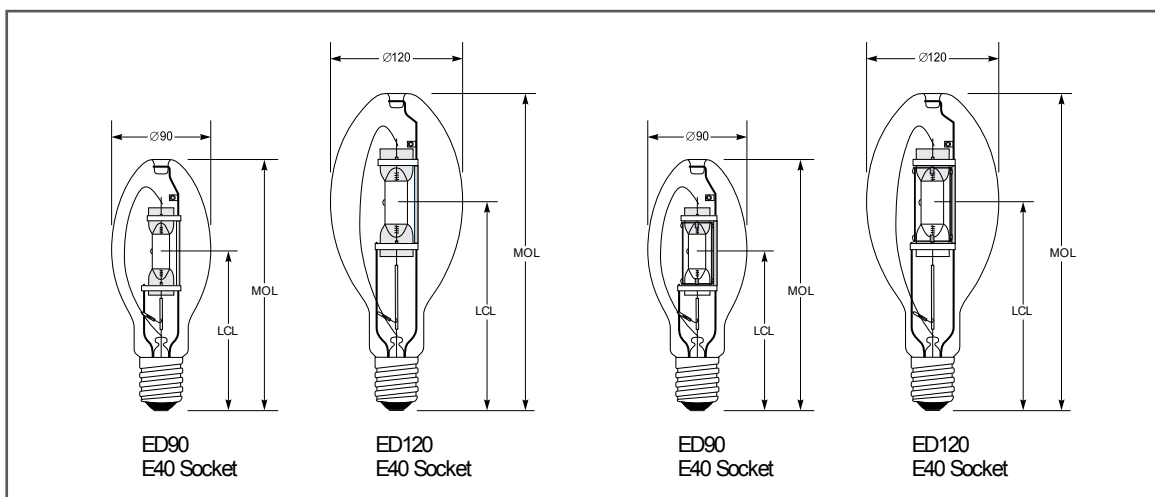


Enclosed Pulsar Metal Halide Lamps

ENCLOSED PULSAR METAL HALIDE LAMPS

- Pulse Start technology
- White light

- Good and stable color rendering as lamps age
- Faster hot re-strike
- Excellent lumen maintenance
- Enclosed fixture only



Rated Power	Glass Type	Socket	Matchcode	Packing Unit	Finish	Dimensions		Lumens Initial (lm)	Lumens Lifetime (Avg Hrs)	Color		Article No.
						MOL (mm)	LCL (mm)			Temp (K)	CRI	
PULSAR Metal Halide Lamps - E40 Socket, Enclosed Rated												
200	ED90	E40	MI-E200/ED90/U/PS/4K	12	Clear	230	146	21000V/18900H	15000BU/11250H	4000	65	T13110292514
			MI-E200/ED90/C/U/PS/4K	12	Coated	230	146	20000V/18000H	15000BU/11250H	3700	70	T13110293514
250	ED90	E40	MI-E250/ED90/HBU/PS/4K	12	Clear	230	146	25000BU/22500H	15000BU/11250H	4000	65	T13610292514
			MI-E250/ED90/C/HBU/PS/4K	12	Coated	230	146	23800BU/21400H	15000BU/11250H	3700	70	T13610293514
350	ED120	E40	MI-E350/ED120/U/PS/4K	12	Clear	296	182	37000V/33300H	20000+V/15000H	4000	65	T14610282514
			MI-E350/ED120/C/U/PS/4K	12	Coated	296	182	35200V/31700H	20000+V/15000H	3700	70	T14610283514
400	ED120	E40	MI-E400/ED120/HBU/PS/4K	12	Clear	296	182	44000BU/40000H	20000+BU/15000H	4000	65	T15110282514
			MI-E400/ED120/C/HBU/PS/4K	12	Coated	296	182	42000BU/37800H	20000+BU/15000H	3700	70	T15110283514
PULSAR Metal Halide Lamps - E40 Socket, Open Rated												
200	ED90	E40	MP-E200/ED90/V/PS/4K	12	Clear	230	148	20000	15000	4000	65	T13110492514
			MP-E200/ED90/C/V/PS/4K	12	Coated	230	148	19000	15000	3700	70	T13110493514
250	ED90	E40	MP-E250/ED90/BU/PS/4K	12	Clear	230	148	23800	15000	4000	65	T13610492514
			MP-E250/ED90/C/BU/PS/4K	12	Coated	230	148	22600	15000	3700	70	T13610493514
350	ED120	E40	MP-E350/ED120/V/PS/4K	12	Clear	296	182	35200	20000+	4000	65	T14610482514
			MP-E350/ED120/C/V/PS/4K	12	Coated	296	182	33400	20000+	3700	70	T14610483514
400	ED120	E40	MP-E400/ED120/BU/PS/4K	12	Clear	296	182	42000	20000+	4000	65	T15110482514
			MP-E400/ED120/C/BU/PS/4K	12	Coated	296	182	40000	20000+	3700	70	T15110483514

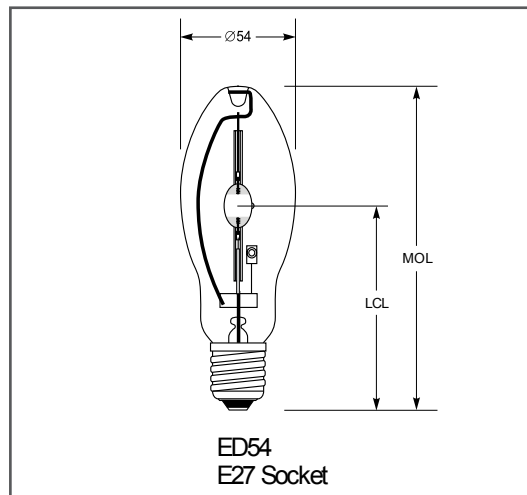
Dimensions are given in millimetres unless noted otherwise please dispose responsibly.



Standard Metal Halide Lamps

STANDARD METAL HALIDE LAMPS

- High light output • Long life
- Long life
- Enclosed fixture only



Rated Power	Glass Type	Socket	Matchcode	Packing Unit	Finish	Dimensions		Lumens		Color		Article No.
						MOL (mm)	LCL (mm)	Initial (lm)	Lifetime (Avg Hrs)	Temp (K)	CRI	
Metal Halide Lamps - Elliptical, E27 Socket, Clear												
50	ED54	E27	MH-E50 /U	/ED542 /4K	Clear	141	89	3400	10000	4200	65	N11617282514
70	ED54	E27	MH-E70/ED54/U/3K	12	Clear	141	89	5500	10000	3300	65	N11817282414
			MH-E70/ED54/U/4K	12	Clear	141	89	5500	10000	4200	65	N11817282514
			MH-E70/ED54/U/5K	12	Clear	141	89	4500	10000	5200	65	N11817282614
			MH-E70/ED54/U/6K	12	Clear	141	89	4200	10000	6500	65	N11817282714
100	ED54	E27	MH-E100/ED54/U/3K	12	Clear	141	89	8000	10000	3300	65	N12117282414
			MH-E100/ED54/U/4K	12	Clear	141	89	8500	10000	4200	65	N12117282514
			MH-E100/ED54/U/5K	12	Clear	141	89	7500	10000	5200	65	N12117282614
			MH-E100/ED54/U/6K	12	Clear	141	89	7500	10000	6500	65	N12117282714
150	ED54	E27	MH-E150/ED54/U/3K	12	Clear	141	89	12000	10000	3300	65	N12617282414
			MH-E150/ED54/U/4K	12	Clear	141	89	12500	10000	4200	65	N12617282514
			MH-E150/ED54/U/5K	12	Clear	141	89	9500	10000	5200	65	N12617282614
			MH-E150/ED54/U/6K	12	Clear	141	89	9000	10000	6500	65	N12617282714
Metal Halide Lamps - Elliptical, E27 Socket, Coated												
50	ED54	E27	MH-E50/ED54/C/U/4K	12	Coated	141	89	3000	10000	3900	70	N11617283514
70	ED54	E27	MH-E70/ED54/C/U/3K	12	Coated	141	89	5200	10000	3300	70	N11817283414
			MH-E70/ED54/C/U/4K	12	Coated	141	89	5200	10000	3900	70	N11817283514
			MH-E70/ED54/C/U/5K	12	Coated	141	89	4200	10000	4900	70	N11817283614
100	ED54	E27	MH-E100/ED54/C/U/3K	12	Coated	141	89	7500	10000	3300	70	N12117283414
			MH-E100/ED54/C/U/4K	12	Coated	141	89	8000	10000	3900	70	N12117283514
			MH-E100/ED54/C/U/5K	12	Coated	141	89	7000	10000	4800	70	N12117283614
150	ED54	E27	MH-E150/ED54/C/U/3K	12	Coated	141	89	10800	10000	3300	70	N12617283414
			MH-E150/ED54/C/U/4K	12	Coated	141	89	11250	10000	3900	70	N12617283514
			MH-E150/ED54/C/U/5K	12	Coated	141	89	9000	10000	4800	70	N12617283614

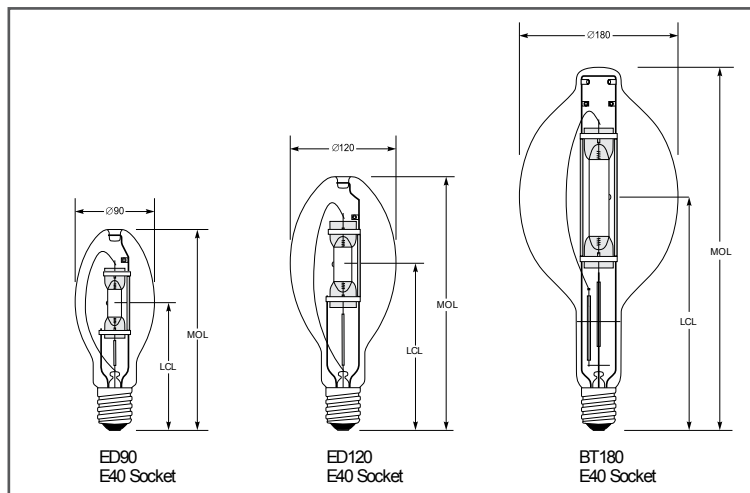
Dimensions are given in millimetres unless noted otherwise please dispose responsibly.



Standard Metal Halide Lamps

STANDARD METAL HALIDE LAMPS

- High light output
- Long life
- Enclosed fixture only



Rated Power	Glass Type	Socket	Matchcode	Packing Unit	Finish	Dimensions		Lumens		Color		Article No.
						MOL (mm)	LCL (mm)	Initial (lm)	Lifetime (Avg Hrs)	Temp (K)	CRI	
Metal Halide Lamps - Elliptical, E40 Socket, Clear												
250	ED90	E40	MH-E250/ED90/U/4K	12	Clear	230	148	21000	15000	4200	60	N13610292514
			MH-E250/ED90/U/5K	12	Clear	230	148	19000	15000	5200	60	N13610292614
			MH-E250/ED90/U/6K	12	Clear	230	148	19000	15000	6500	60	N13610292714
400	ED120	E40	MH-E400/ED120/U/4K	12	Clear	296	182	30000	15000	4200	60	N15110282514
			MH-E400/ED120/U/5K	12	Clear	296	182	28000	15000	5200	60	N15110282614
			MH-E400/ED120/U/6K	12	Clear	296	182	28000	15000	6500	60	N15110282714
1000	BT180	E40	MH-E1000/BT180/U/4K	6	Clear	392	250	110000	10000	4200	60	N21110372514
Metal Halide Lamps - Elliptical, E40 Socket, Coated												
250	ED90	E40	MH-E250/ED90/C/U/4K	12	Coated	230	148	19000	15000	3900	65	N13610293514
			MH-E250/ED90/C/U/5K	12	Coated	230	148	17500	15000	4800	65	N13610293614
			MH-E250/ED90/C/U/6K	12	Coated	230	148	17500	15000	6000	65	N13610293714
400	ED120	E40	MH-E400/ED120/C/U/4K	12	Coated	296	182	28000	15000	3900	65	N15110283514
			MH-E400/ED120/C/U/5K	12	Coated	296	182	26500	15000	4800	65	N15110283614
			MH-E400/ED120/C/U/6K	12	Coated	296	182	26500	15000	6000	65	N15110283714
1000	BT180	E40	MH-E1000/BT180/C/U/4K	6	Coated	392	250	100000	10000	3900	65	N21110373514

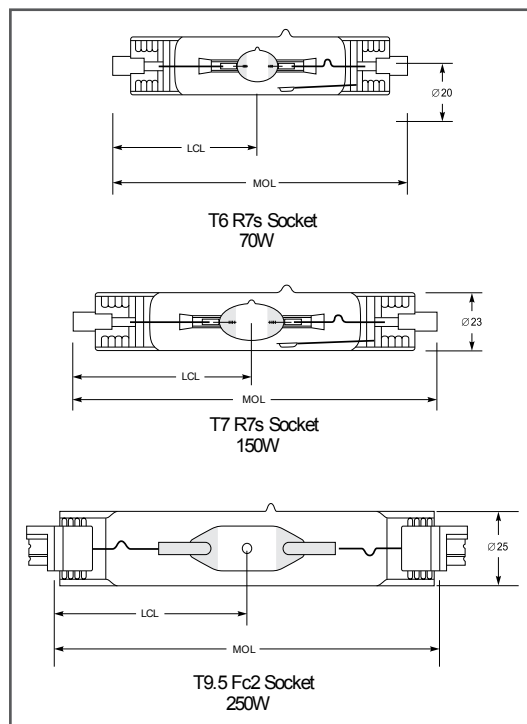
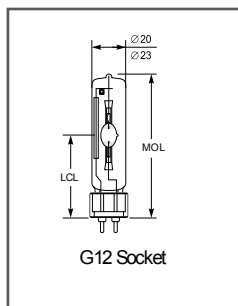
Dimensions are given in millimetres unless noted otherwise please dispose responsibly.



Standard Metal Halide Lamps

STANDARD METAL HALIDE LAMPS

- High light output
- Long life
- Enclosed fixture only



Rated Power	Glass Type	Socket	Matchcode	Packing Unit	Finish	Dimensions		Lumens		Color		Article No.
						MOL (mm)	LCL (mm)	Initial (lm)	Lifetime (Avg Hrs)	Temp (K)	CRI	
Metal Halide Lamps - TS tubular, Double-ended												
70	T6	R7s	MHD-70/UVS/3K	10	Clear	117.5	58	5000	6000	3200	65	N11818681414
			MHD-70/UVS/4K	10	Clear	117.5	58	5500	8000	4200	60	N11818681514
			MHD-70/UVS/6K	10	Clear	117.5	58	4600	8000	6500	75	N11818681714
150	T7	R7s	MHD-150/UVS/3K	10	Clear	135.5	66	10000	8000	3200	65	N12618681414
			MHD-150/UVS/4K	10	Clear	135.5	66	12500	10000	4200	60	N12618681514
			MHD-150/UVS/6K	10	Clear	135.5	66	9200	10000	6500	75	N12518681714
250	T9.5	Fc2	MHD-250/UVS/4K	10	Clear	163	81.5	18000	6000	4200	60	N13518731514
			MHD-250/UVS/5K	10	Clear	163	81.5	18000	6000	5200	85	N13618731614
Metal Halide Lamps - Tubular, G12 Socket												
70	T7	G12	MHT70/G12/UVS/3K	10	Clear	96	56	5000	6000	3200	65	N11812374214
			MHT70/G12/UVS/4K	10	Clear	96	56	5600	8000	4200	65	N11812374214
150	T7	G12	MHT150/G12/UVS/3K	10	Clear	105	56	12500	8000	3200	65	N12612374214
			MHT150/G12/UVS/4K	10	Clear	105	56	12500	8000	4200	65	N12612375214

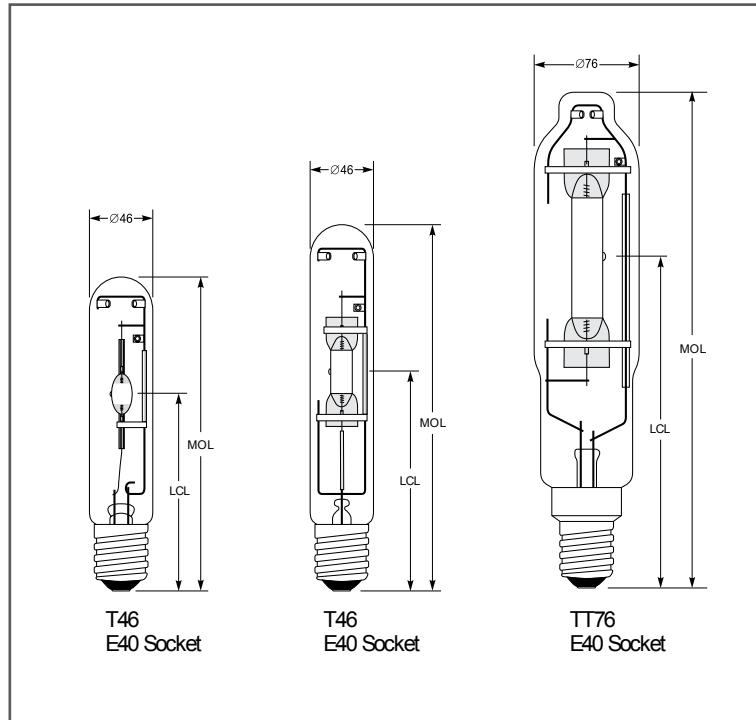
Dimensions are given in millimetres unless noted otherwise please dispose responsibly.



Standard Metal Halide Lamps

STANDARD METAL HALIDE LAMPS

- High light output
- Long life
- Enclosed fixture only



Rated Power	Glass Type	Socket	Matchcode	Packing Unit	Finish	Dimensions		Lumens Initial (lm)	Lifetime (Avg Hrs)	Color		Article No.
						MOL (mm)	LCL (mm)			Temp (K)	CRI	
Metal Halide Lamps - Tubular												
70	T38	E27	MHT70/T38/U/4K	40	Clear	156	102	5500	8000	4200	65	N11817292514
100	T38	E27	MHT100/T38/U/4K	40	Clear	156	102	8500	8000	4200	65	N12117292514
	T46	E40	MHT100/T46/U/5K	25	Clear	210	128	8500	8000	5200	70	N12110272614
150	T38	E27	MHT150/T38/U/4K	40	Clear	156	102	12500	10000	4200	65	N12617292514
	T46	E40	MHT150/T46/U/5K	25	Clear	210	128	12500	10000	5200	70	N12610272614
250	T46	E40	MHT250/T46/U/4K	25	Clear	255	148	21000	15000	4200	65	N13610272514
			MHT250/T46/U/5K	25	Clear	255	148	18000	15000	5200	80	N13610272614
			MHT250/T46/U/6K	25	Clear	255	148	18000	15000	6500	80	N13610272714
400	T46	E40	MHT400/T46/U/4K	25	Clear	270	175	28000	15000	4200	65	N15110272514
			MHT400/T46/U/5K	25	Clear	270	175	28000	15000	5200	80	N15110272614
			MHT400/T46/U/6K	25	Clear	270	175	28000	15000	6500	80	N15110272714
1000	TT76	E40	MHT1000/TT76/U/4K	12	Clear	382	240	90000	15000	4200	65	N21110872514

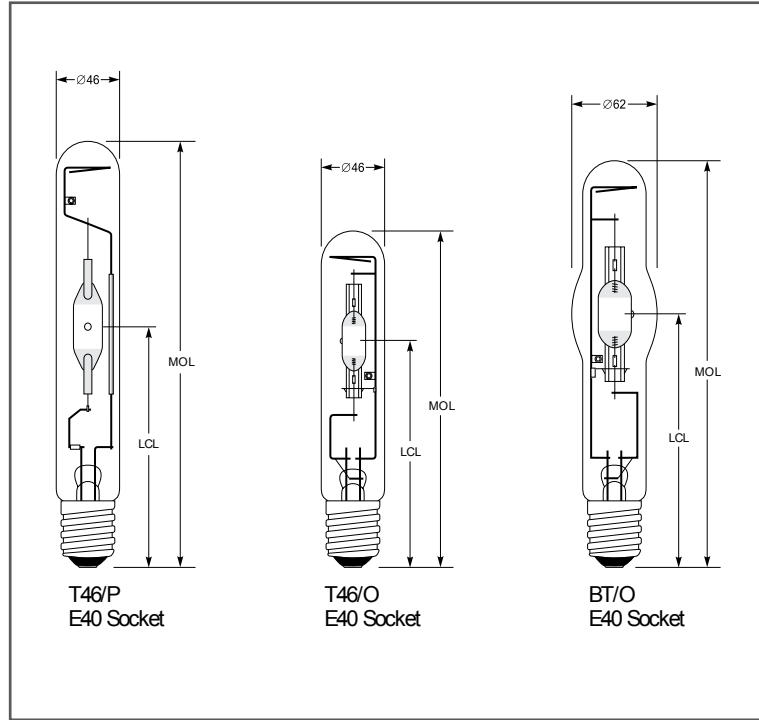
Dimensions are given in millimetres unless noted otherwise please dispose responsibly.



Standard Metal Halide Lamps

STANDARD METAL HALIDE LAMPS

- High light output
- Long life
- Enclosed fixture only



Rated Power	Glass Type	Socket	Matchcode	Packing Unit	Finish	Dimensions		Lumens		Color		Article No.
						MOL (mm)	LCL (mm)	Initial (lm)	Lifetime (Avg Hrs)	Temp (K)	CRI	
Metal Halide Lamps - Tubular, E40 Socket												
250	T46	E40	MIT250/T46/HBU/4K*	25	Clear	280	150	19000	15000	4500	65	N13610272524
			MIT250/T46/HBU/5K/O	25	Clear	230	150	18000	15000	5200	80	N13610272624
400	T46	E40	MIT400/T46/HBU/4K*	25	Clear	285	170	34000	15000	4500	60	N15110272524
			BT	E40	MIT400/BT/HBU/5K/O	25	Clear	275	173	28000	15000	5200

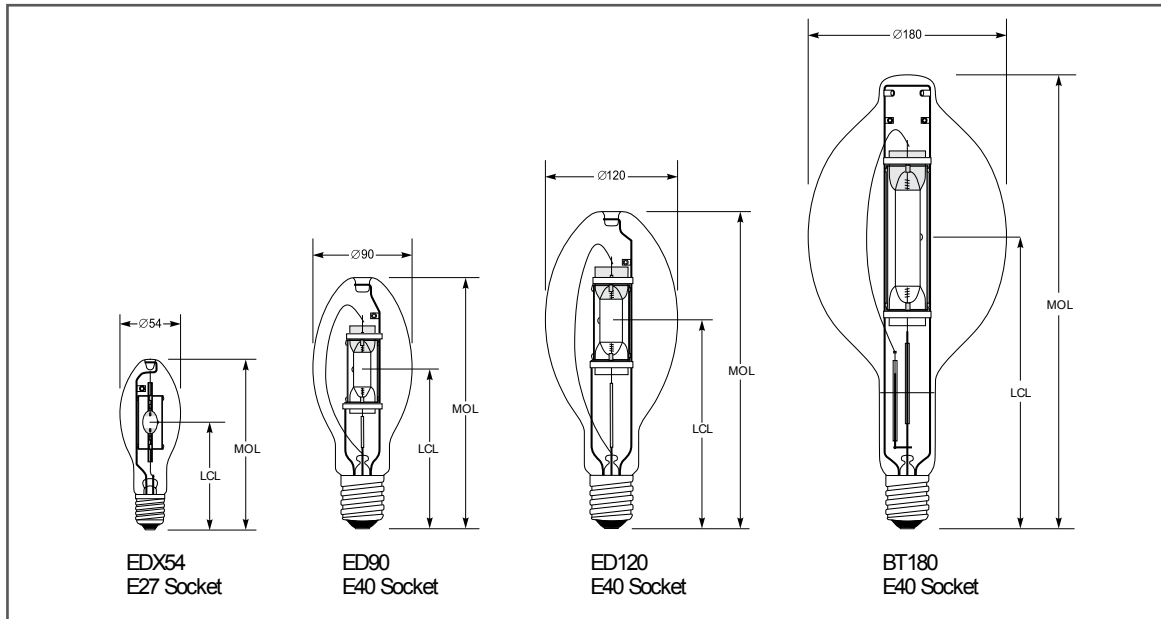
Dimensions are given in millimetres unless noted otherwise please dispose responsibly.



Enclosed Metal Halide Lamps

ENCLOSED METAL HALIDE LAMPS

- High light output
- Long life
- Enclosed fixture only



Rated Power	Glass Type	Socket	Matchcode	Packing Unit	Finish	Dimensions		Lumens		Color		Article No.	
						MOL (mm)	LCL (mm)	Initial (lm)	Mean (nm)	Lifetime (Avg Hrs)	Temp (K)		CRI
Enclosed Metal Halide Lamps - E27 Socket													
70	EDX54	E27	MHP70/EDX54/U/4K	12	Clear	141	89	5300V/4800H	3400V/3100H	15000	4200	65	N11817582514
			MHP70/EDX54/C/U/4K	12	Coated	141	89	5000V/4500H	3300V/3000H	15000	4000	65	N11817583514
100	EDX54	E27	MHP100/EDX54/U/4K	12	Clear	141	89	8500V/7700H	5500V/5000H	15000	4200	65	N12117582514
			MHP100/EDX54/C/U/4K	12	Coated	141	89	8100V/7300H	5300V/4800H	15000	4000	65	N12117583514
150	EDX54	E27	MHP150/EDX54/U/4K	12	Clear	141	89	13300V/12000H	10000V/9000H	15000	4200	65	N12617582514
			MHP150/EDX54/C/U/4	12	Coated	141	89	12600V/11300H	9500V/8500H	15000	4000	65	N12617583514
Enclosed Metal Halide Lamps - E40 Socket													
250	ED90	E40	MHP250/ED90/BU/4K	12	Clear	230	148	20500	18450	15000	4200	60	N13610492514
			MHP250/ED90/C/BU/4K	12	Coated	230	148	19475	15800	15000	4000	65	N13610493514
400	ED120	E40	MHP400/ED120/BU/4K	12	Clear	296	182	36000	28000	15000	4200	60	N15110482514
			MHP400/ED120/C/BU/4K	12	Coated	296	182	34000	27200	15000	4000	65	N15110483514
1000	BT180	E40	MHP1000/BT180/BU/4K	6	Clear	391	241	110000	88000	10000+	4200	60	N21110572514
			MHP1000/BT180/C/BU/4K	6	Coated	391	241	105000	80000	10000+	4000	65	N21110573514

Dimensions are given in millimetres unless noted otherwise please dispose responsibly.



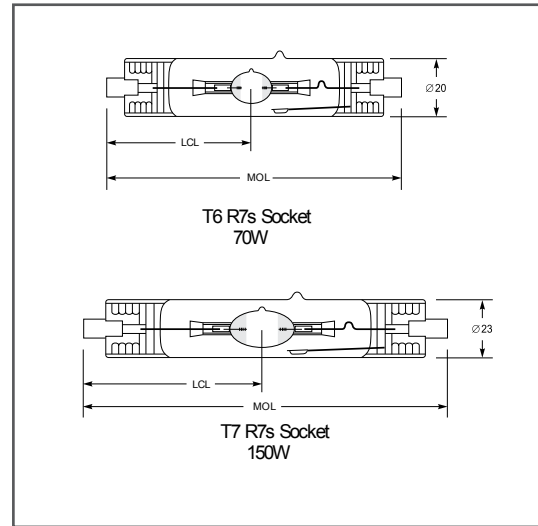
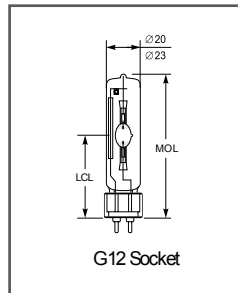
Color Metal Halide Lamps

COLOR METAL HALIDE LAMPS

- Consistent color Available in red, green, blue
- Available in red, green, blue
- Enclosed fixture only

Annotation:

CY=Blue
GR=Green
MG=Red



Rated Power	Glass Type	Socket	Matchcode	Packing Unit	Finish	Dimensions		Dominant Wavelength (nm)	Lifetime (Avg Hrs)	Article No.
						MOL (mm)	LCL (mm)			
Color Metal Halide Lamps - TS tubular, Double-ended										
70	T6	R7s	MHE70/UV/CY	10	Clear	117.5	58	462	5000	Z11818682213
			MHE70/UV/GR	10	Clear	117.5	58	535	5000	Z11818682213
			MHE70/UV/MG	10	Clear	117.5	58	635	5000	Z11818684213
150	T7	R7s	MHE150/UV/CY	10	Clear	135.5	66	462	5000	Z12618682213
			MHE150/UV/GR	10	Clear	135.5	66	535	5000	Z12618683213
			MHE150/UV/MG	10	Clear	135.5	66	635	5000	Z12618684213
Color Metal Halide Lamps - Tubular, G12 Socket										
70	T7	G12	MHT70/G12/UV/CY	10	Clear	96	56	462	5000	Z11812372214
			MHT70/G12/UV/GR	10	Clear	96	56	535	5000	Z11812373214
			MHT70/G12/UV/MG	10	Clear	96	56	635	5000	Z11812374214
150	T7	G12	MHT150/G12/UV/CY	10	Clear	105	56	462	5000	Z12612372214
			MHT150/G12/UV/GR	10	Clear	105	56	535	5000	Z12612373214
			MHT150/G12/UV/MG	10	Clear	105	56	635	5000	Z12612374214

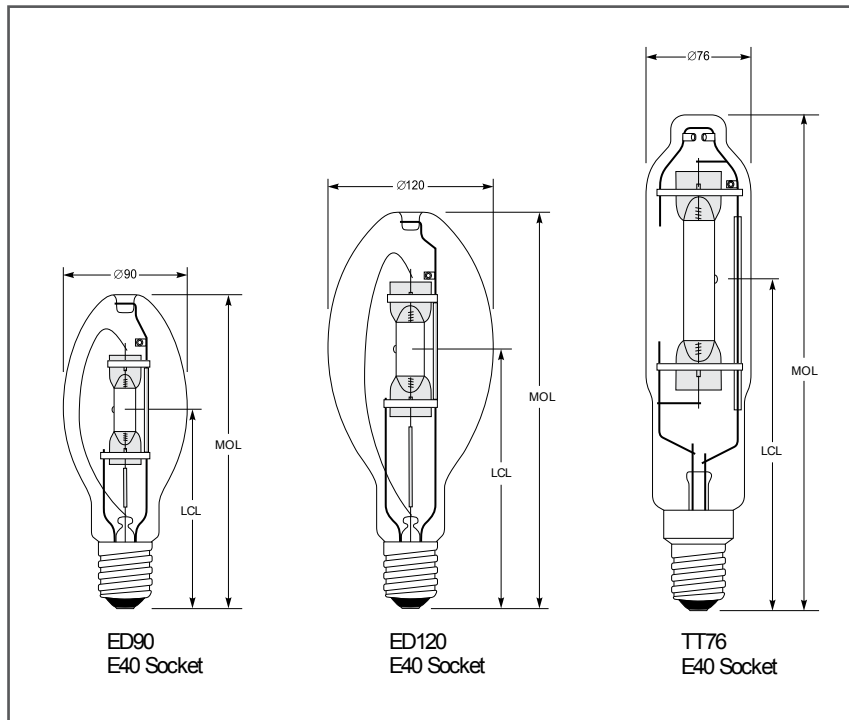
Dimensions are given in millimetres unless noted otherwise please dispose responsibly.



Greenhouse Metal Halide Lamps

GREENHOUSE METAL HALIDE LAMPS

- High light output
- Long life
- Enclosed fixture



Rated Power	Glass Type	Socket	Matchcode	Packing Unit	Finish	Dimensions		Lumens		Color			Article No.
						MOL (mm)	LCL (mm)	Initial (lm)	Mean (lm)	Lifetime (Avg Hrs)	Temp (K)	CRI	
Greenhouse Metal Halide Lamps													
250	ED90	E40	MH250/E90/VEG	12	Clear	211	127	20600	17400	10000	4200	65	N13610292514
400	ED120	E40	MH400/E120/VEG	12	Clear	292	178	36000	30600	10000	4200	65	N15110282514
600	TT76	E40	MH600/T76/VEG	12	Clear	292	178	60000	51000	10000	4200	65	N17110872514

Dimensions are given in millimetres unless noted otherwise please dispose responsibly.



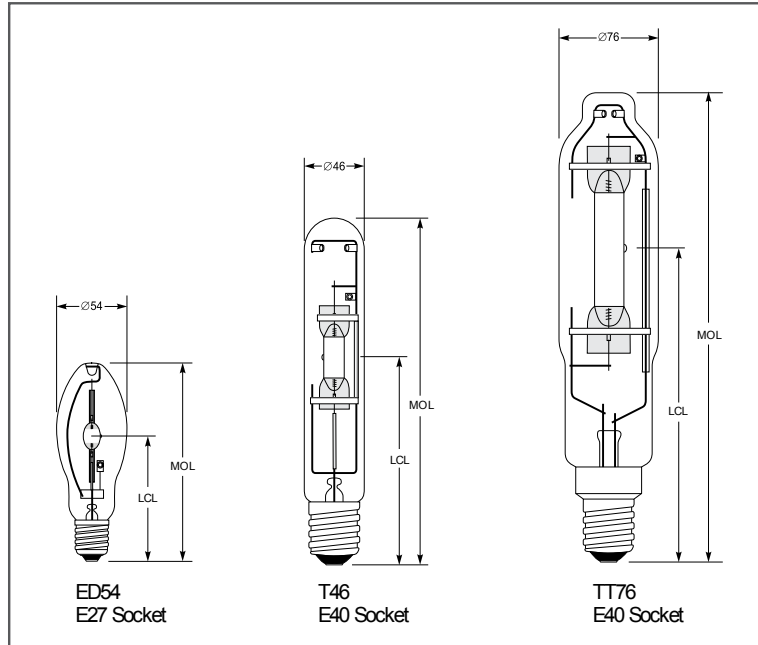
Color Metal Halide Lamps

COLOR METAL HALIDE LAMPS

- Consistent color
- Available in red, green, blue
- Enclosed fixture only

Annotation:

CY=Blue
GR=Green
MG=Red



Rated Power	Glass Type	Socket	Matchcode	Packing Unit	Finish	Dimensions		Lumens Initial (lm)	Dominant Wavelength (nm)	Lifetime (Avg Hrs)	Article No.
						MOL (mm)	LCL (mm)				
Color Metal Halide Lamps - E27 Socket											
150	ED54	E27	MH-E-150/ED54/U/CY	12	Clear	141	89	89	462	5000	Z12617282214
			MH-E-150/ED54/U/GR	12	Clear	141	89	89	535	5000	Z12617283214
			MH-E-150/ED54/U/MG	12	Clear	141	89	89	635	5000	Z12617284214
Color Metal Halide Lamps - E40 Socket											
250	T46	E40	MHT-E-COL-250/T46/HBU/CY	25	Clear	255	148	148	462	5000	Z13610272214
			MHT-E-COL-250/T46/HBU/GR	25	Clear	255	148	148	535	5000	Z13610273214
			MHT-E-COL-250/T46/HBU/MG	25	Clear	255	148	148	635	5000	Z13610274214
400	T46	E40	MHT-E-COL-400/T46/HBU/CY	25	Clear	275	175	175	462	5000	Z15110272214
			MHT-E-COL-400/T46/HBU/GR	25	Clear	275	175	175	535	5000	Z15110273214
			MHT-E-COL-400/T46/HBU/MG	25	Clear	275	175	175	635	5000	Z15110274214
1000	TT76	E40	MHT-E-COL-1000/TT76/HBU/CY	12	Clear	340	220	220	462	5000	Z21110872214
			MHT-E-COL-1000/TT76/HBU/GR	12	Clear	340	220	220	535	5000	Z21110873214
			MHT-E-COL-1000/TT76/HBU/MG	12	Clear	340	220	220	635	5000	Z21110874214

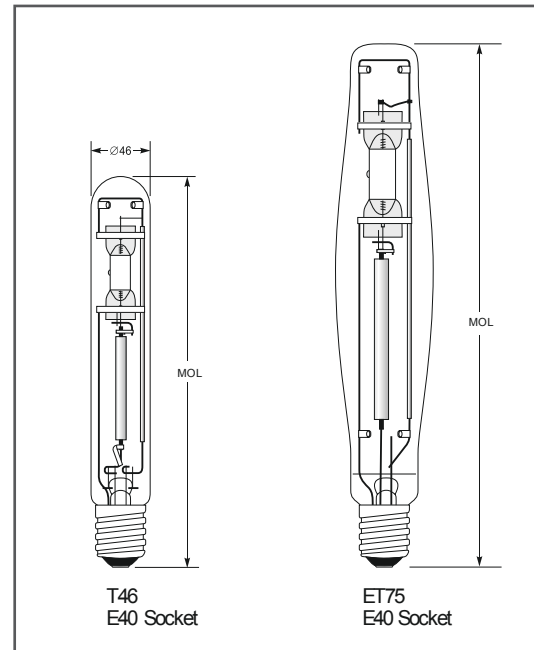
Dimensions are given in millimetres unless noted otherwise please dispose responsibly.



Greenhouse Dual Arc Tube

GREENHOUSE DUAL ARC TUBE

- Dual arc tube
- Long life: 10,000 hours average lifetime
- High light output
- Enclosed fixture



Rated Power	Glass Type	Socket	Matchcode	Packing Unit	Finish	Dimensions		Lumens		Lifetime (Avg Hrs)	Article No.
						MOL (mm)		Initial (lm)	Mean (lm)		
Greenhouse Dual Arc Tube Lamps											
400	T46	E40	DUALARC400/T46	25	Clear	285		36000	30600	10000	E15110272114
600	ET75	E40	DUALARC600/ET75	12	Clear	382		56000	47600	10000	E17110262114
1000	ET75	E40	DUALARC1000/ET75	12	Clear	382		105000	89250	10000	E21110262114

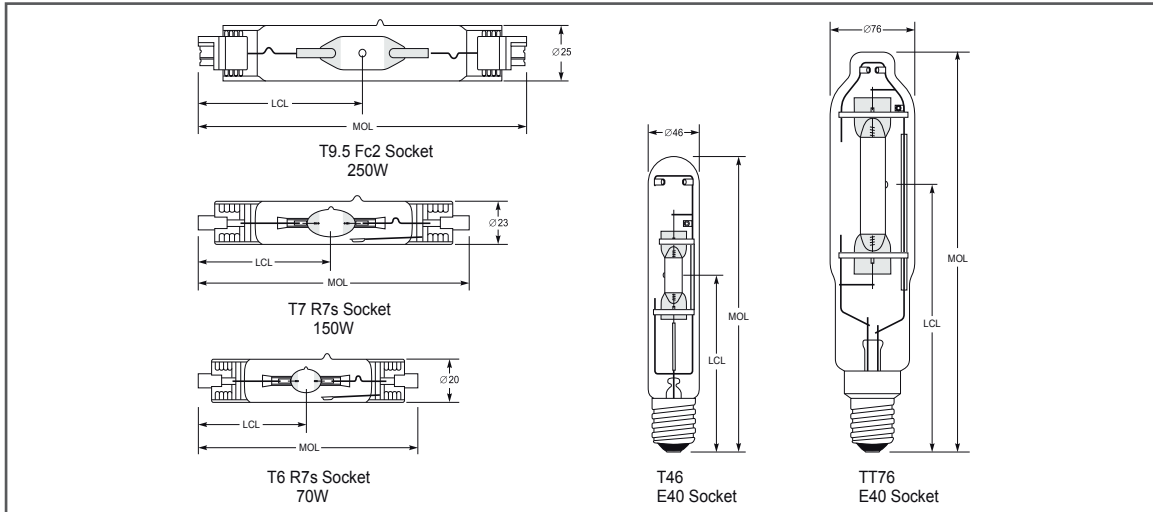
Dimensions are given in millimetres unless noted otherwise please dispose responsibly.



Aquaristic Metal Halide Lamps

AQUARISTIC METAL HALIDE LAMPS

- Color temperature from 10,000K to 20,000K
- Enclosed fixture only
- Long life



Rated Power	Glass Socket	Matchcode	Packing Unit	Finish	Dimensions		Lumens		Color		Article No.
					MOL (mm)	LCL (mm)	Initial (lm)	Lifetime (Avg Hrs)	Temp (K)		
Aquaristic Metal Halide Lamps											
70	T6 R7s	MHD-AQ70/UVS/10K	10	Clear	117.5	58	3100	6000	10000	N11818682214	
		MHD-AQ70/UVS/14K	10	Clear	117.5	58	--	6000	14000	N11818682254	
		MHD-AQ70/UVS/20K	10	Clear	117.5	58	1700	6000	20000	N11818682314	
150	T7 R7s	MHD-AQ150/UVS/10K	10	Clear	135.5	66	7000	6000	10000	N12618682214	
		MHD-AQ150/UVS/14K	10	Clear	135.5	66	6800	6000	14000	N12618682254	
		MHD-AQ150/UVS/20K	10	Clear	135.5	66	3000	6000	20000	N12618682314	
250	T9.5 Fc2	MHD-AQ250/UVS/10K	10	Clear	163	81.5	10500	6000	10000	N13618732214	
		MHD-AQ250/UVS/14K	10	Clear	163	81.5	10600	6000	14000	N13618732254	
		MHD-AQ250/UVS/20K	10	Clear	163	81.5	5000	6000	20000	N13618732314	
	T46 E40	MHT-AQ250/T46/U/10K	25	Clear	255	148	11000	8000	10000	N13610272214	
		MHT-AQ250/T46/U/14K	25	Clear	255	148	--	8000	14000	N13610272254	
		MHT-AQ250/T46/U/20K	25	Clear	255	148	--	8000	20000	N13610272314	
400	T46 E40	MHT-AQ400/T46/U/10K	25	Clear	275	175	18000	8000	10000	N15110272214	
		MHT-AQ400/T46/U/14K	25	Clear	275	175	--	8000	14000	N15110272254	
		MHT-AQ400/T46/U/20K	25	Clear	275	175	--	8000	20000	N15110272314	
1000	TT76 E40	MHT-AQ1000/TT76/HOR/10K12		Clear	382	220	--	4500	10000	N21110872214	
		MHT-AQ1000/TT76/HOR/14K12		Clear	382	220	--	4500	14000	N21110872254	
		MHT-AQ1000/TT76/HOR/20K12		Clear	382	220	46000	4500	20000	N21110872314	

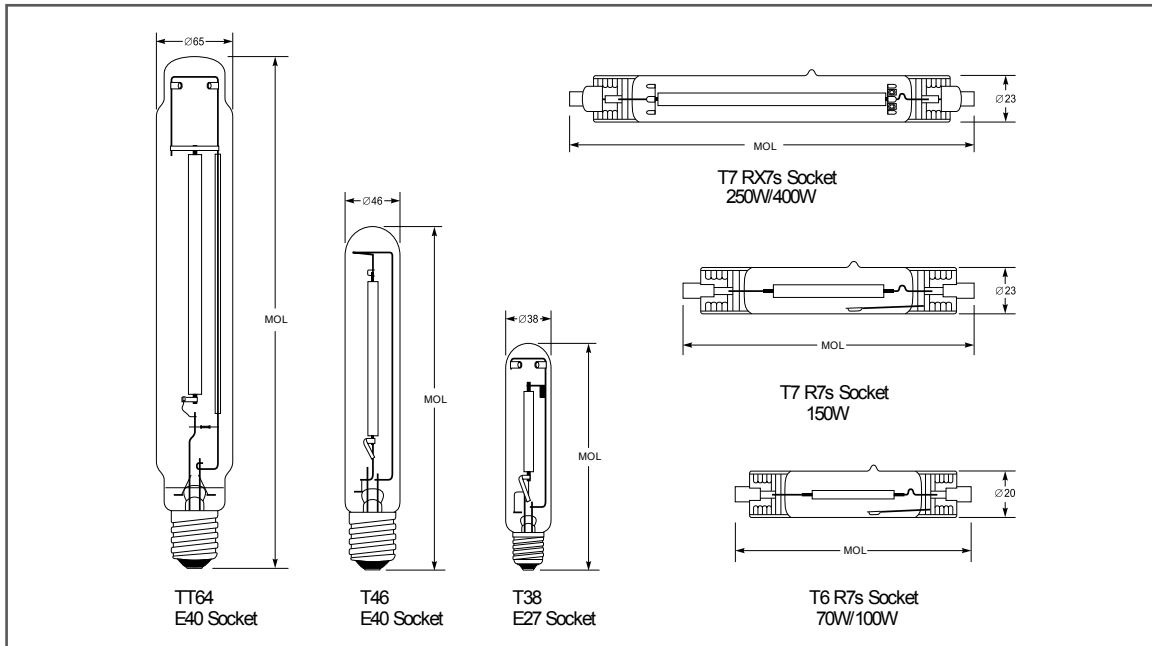
Dimensions are given in millimetres unless noted otherwise please dispose responsibly.



High Pressure Sodium Lamps

HIGH PRESSURE SODIUM LAMPS

- Universal burning position
- High light output/low operating cost
- Long life



Rated Power	Glass Type	Socket	Matchcode	Packing Unit	Finish	Dimensions		Lumens		Color		Article No.
						MOL (mm)	LCL (mm)	Initial (lm)	Lifetime (Avg Hrs)	Temp (K)	CRI	
Standard High Pressure Sodium Lamps - Tubular, Clear												
50	T38	E27	HPS-T50/T38	40	Clear	156	38	3600	20000+	2000	22	M11617492314
70	T38	E27	HPS-T70/T38	40	Clear	156	38	6000	20000+	2000	22	M11817492314
100	T46	E40	HPS-T100/T46	25	Clear	211	46	9000	20000+	2000	22	M12110272314
150	T46	E40	HPS-T150/T46	25	Clear	211	46	15000	20000+	2000	22	M12610272314
250	T46	E40	HPS-T250/T46	25	Clear	257	46	28000	20000+	2000	22	M13610272314
400	T46	E40	HPS-T400/T46	25	Clear	283	46	48000	20000+	2000	22	M15110272314
1000	TT64	E40	HPS1000/TT64	12	Clear	392	65	130000	10000+	2000	22	M21110752314
Standard High Pressure Sodium Lamps - Tubular, Double Ended												
70	T6	R7s	HPS-D70/DE	10	Clear	118	20	5000	20000+	2000	22	M11818682314
100	T6	R7s	HPS-D100/DE	10	Clear	118	20	7500	20000+	2000	22	M12118682314
150	T7	R7s	HPS-D150/DE	10	Clear	136	23	13000	20000+	2000	22	M12618682314
250	T7	RX7s	HPS-D250/DE	10	Clear	189	23	21000	10000+	2000	22	M13618682314
400	T7	RX7s	HPS-D400/DE	10	Clear	254	23	40000	10000+	2000	22	M15118682314

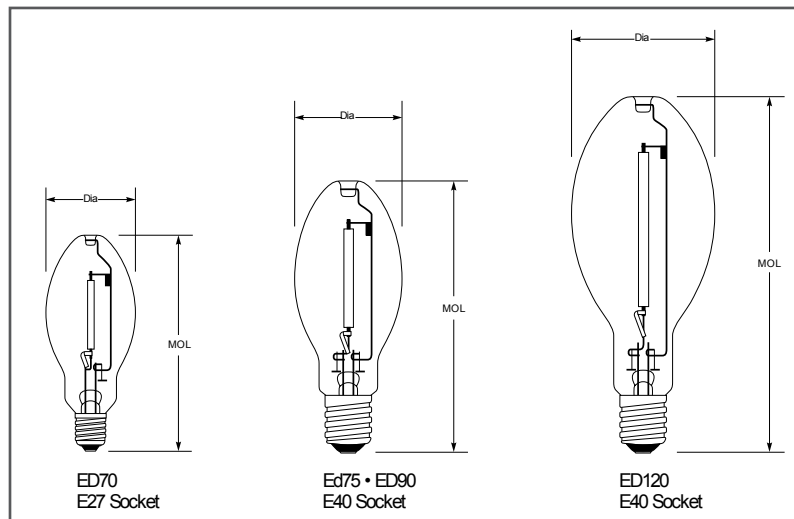
Dimensions are given in millimetres unless noted otherwise please dispose responsibly.



High Pressure Sodium Lamps

HIGH PRESSURE SODIUM LAMPS

- Universal burning position
- High light output
- Low operating cost
- Long life



Rated Power	Glass Type	Socket	Matchcode	Packing Unit	Finish	Dimensions		Lumens		Color		Article No.
						MOL (mm)	LCL (mm)	Initial (lm)	Lifetime (Avg Hrs)	Temp (K)	CRI	
Standard High Pressure Sodium Lamps - Elliptical, Clear												
50	ED70	E27	HPS-E50/ED70/EM	12	Clear	156	70	3700	10000	2000	25	M11617242314
70	ED70	E27	HPS-E70/ED70/EM	12	Clear	156	70	5600	10000	2000	25	M11817242314
100	ED75	E40	HPS-E100/ED75/EM	12	Clear	156	75	9000	10000	2000	25	M12110242314
150	ED90	E40	HPS-E150/ED90/EM	12	Clear	226	90	15000	10000	2000	25	M12610292314
250	ED90	E40	HPS-E250/ED90/EM	12	Clear	226	90	27000	20000	2000	25	M13610292314
400	ED120	E40	HPS-E400/ED120/EM	12	Clear	290	120	48000	20000	2000	25	M15110282314
1000	ED165	E40	HPS-E1000/ED165/EM	12	Clear	360	165	130000	20000	2000	25	M15110762314
Standard High Pressure Sodium Lamps - Elliptical, Coated												
50	ED70	E27	HPS-E50/ED70/EC	12	Coated	156	70	3500	10000	1900	25	M11617243314
70	ED70	E27	HPS-E70/ED70/EC	12	Coated	156	70	5400	10000	1900	25	M11817243314
100	ED75	E40	HPS-E100/ED75/EC	12	Coated	156	75	8100	10000	1900	25	M12110243314
150	ED90	E40	HPS-E150/ED90/EC	12	Coated	226	90	12000	10000	1900	25	M12610293314
250	ED90	E40	HPS-E250/ED90/EC	12	Coated	226	90	24000	20000	1900	25	M13610293314
400	ED120	E40	HPS-E400/ED120/EC	12	Coated	290	120	40000	20000	1900	25	M15110283314
1000	ED165	E40	HPS-E1000/ED165/EC	12	Coated	360	165	125000	20000	1900	25	M15110763314
High Pressure Sodium Lamps - Elliptical, Coated, with internal igniter												
70	ED70	E27	HPS-E70/ED70/EC/I	12	Coated	156	70	5400	60000	2000	25	M11817243324

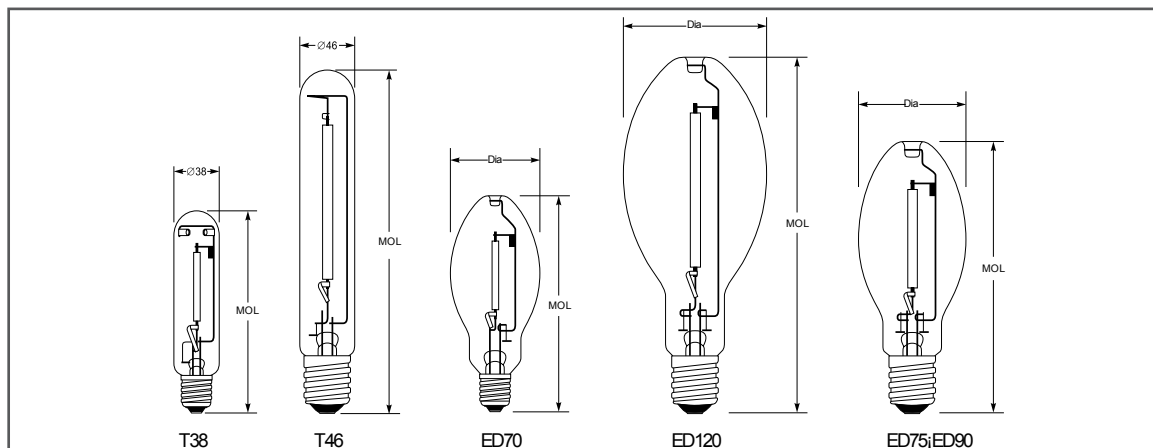
Dimensions are given in millimetres unless noted otherwise please dispose responsibly.



High Lumen High Pressure Sodium Lamps

HIGH LUMEN HIGH PRESSURE SODIUM LAMPS

- Universal burning position
- High light output
- Low operating cost
- Long life



Rated Power	Glass Socket Type	Matchcode	Packing Unit	Finish	Dimensions		Lumens		Color		Article No.
					MOL (mm)	LCL (mm)	Initial (lm)	Lifetime (Avg Hrs)	Temp (K)	CRI	
High Pressure Sodium Lamps - High Lumen Output, Tubular, Clear											
50	T38 E27	HPS-T50/T38/EM/HL	40	Clear	156	38	4000	15000	2000	22	M11617492324
70	T38 E27	HPS-T70/T38/EM/HL	40	Clear	156	38	6500	15000	2000	22	M11817492324
100	T46 E40	HPS-T100/T46/EM/HL	25	Clear	211	46	10100	15000	2000	22	M12110272324
150	T46 E40	HPS-T150/T46/EM/HL	25	Clear	211	46	16800	15000	2000	22	M12610272324
250	T46 E40	HPS-T250/T46/EM/HL	25	Clear	257	46	31500	15000	2000	22	M13610272324
400	T46 E40	HPS-T400/T46/EM/HL	25	Clear	283	46	54000	15000	2000	22	M15110272324
High Pressure Sodium Lamps - High Lumen Output, Elliptical, Clear											
50	ED70 E27	HPS-E50/ED70/EM/HL	12	Clear	156	70	4000	10000	2000	25	M11617242324
70	ED70 E27	HPS-E70/ED70/EM/HL	12	Clear	156	70	6100	10000	2000	25	M11817242324
100	ED75 E40	HPS-E100/ED75/EM/HL	12	Clear	156	75	9900	10000	2000	25	M12110242324
150	ED90 E40	HPS-E150/ED90/EM/HL	12	Clear	226	90	16500	10000	2000	25	M12610292324
250	ED90 E40	HPS-E250/ED90/EM/HL	12	Clear	226	90	30000	20000	2000	25	M13610292324
400	ED120 E40	HPS-E400/ED120/EM/HL	12	Clear	290	120	51000	20000	2000	25	M15110282324
High Pressure Sodium Lamps - High Lumen Output, Elliptical, Coated											
50	ED70 E27	HPS-E50/ED70/EC/HL	12	Coated	156	70	3850	10000	1900	25	M11617243324
70	ED70 E27	HPS-E70/ED70/EC/HL	12	Coated	156	70	5950	10000	1900	25	M11817243324
100	ED75 E40	HPS-E100/ED75/EC/HL	12	Coated	156	75	9000	10000	1900	25	M12110243324
150	ED90 E40	HPS-E150/ED90/EC/HL	12	Coated	226	90	13500	10000	1900	25	M12610293324
250	ED90 E40	HPS-E250/ED90/EC/HL	12	Coated	226	90	26500	20000	1900	25	M13610293324
400	ED120 E40	HPS-E400/ED120/EC/HL	12	Coated	290	120	44000	20000	1900	25	M15110283324

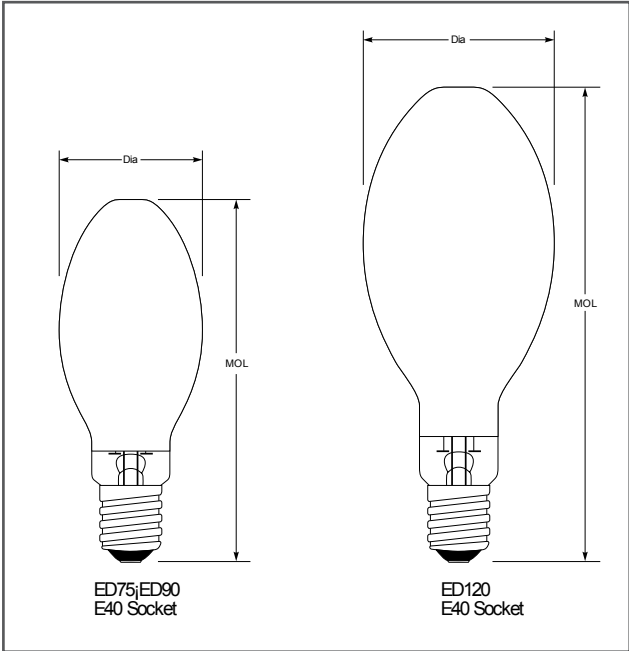
Dimensions are given in millimetres unless noted otherwise please dispose responsibly.



Retrofit Mercury-Ballasted Sodium Lamps

RETROFIT MERCURY-BALLASTED SODIUM LAMPS

- Operates with High Pressure Mercury Lamp ballasts
- Long life: 10,000 hours average lifetime
- Universal burning position



Rated Power	Glass Type	Socket	Matchcode	Packing Unit	Finish	Dimensions		Lumens		Color		Article No.
						MOL (mm)	LCL (mm)	Initial (lm)	Lifetime (Avg Hrs)	Temp (K)	CRI	
High Pressure Sodium Lamps - Mercury Retrofit												
110	ED75	E40	HPS-E110/U/RTF	12	Coated	170	75	8000	12000	2000	20	L12210242314
210	ED90	E40	HPS-E210/U/RTF	12	Coated	227	90	18000	12000	2000	20	L13210282314
350	ED120	E40	HPS-E350/U/RTF	12	Coated	292	120	34500	12000	2000	20	L14610282314

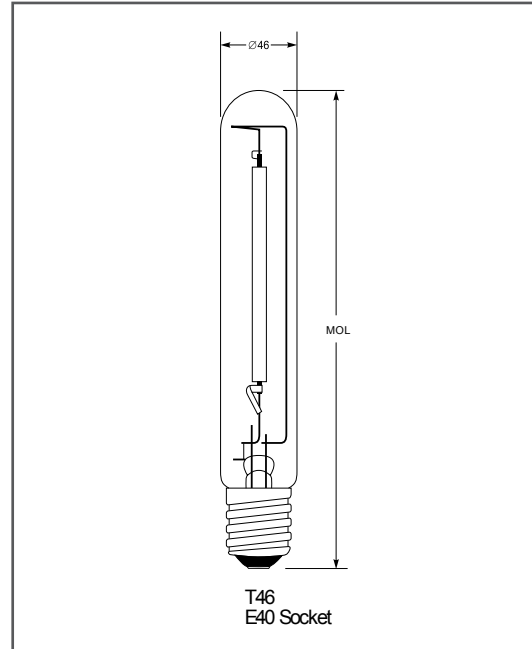
Dimensions are given in millimetres unless noted otherwise please dispose responsibly.



Greenhouse High Pressure Sodium Lamps

GREENHOUSE HIGH PRESSURE SODIUM LAMPS

- Long life: 24,000 hours
- High light output
- Enclosed fixture



Rated Power	Glass Type	Socket	Matchcode	Packing Unit	Finish	Dimensions		Lumens			Color		Article No.
						MOL (mm)	LCL (mm)	Initial (lm)	Mean (lm)	Lifetime (Avg Hrs)	Temp (K)	CRI	
Greenhouse High Pressure Sodium Lamps													
250	T46	E40	HPS250/T46/VEG	25	Clear	257	46	32000	28000	24000	2100	22	L13610272344
400	T46	E40	HPS400/T46/VEG	25	Clear	283	46	56000	52000	24000	2100	22	L15110272344
600	T46	E40	HPS600/T46/VEG	25	Clear	290	46	105000	85000	24000	2100	22	L17110272344

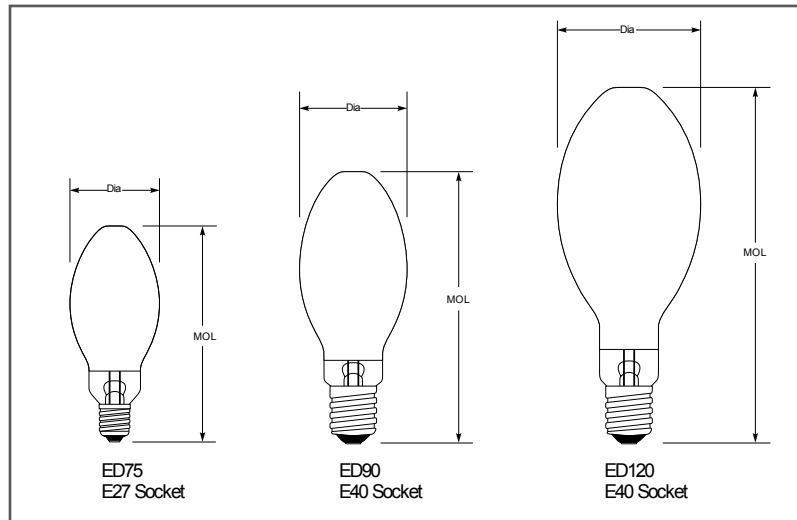
Dimensions are given in millimetres unless noted otherwise please dispose responsibly.



Self-Ballasted Mercury Lamps

SELF-BALLASTED MERCURY LAMPS

- Retrofit incandescent lamps
- High efficacy
- Long life



Rated Power	Glass Type	Socket	Matchcode	Packing Unit	Finish	Dimensions		Lumens		Color		Article No.
						MOL (mm)	LCL (mm)	Initial (lm)	Lifetime (Avg Hrs)	Temp (K)	CRI	
Mercury - Tungsten Blended Lamps												
160	ED75	E27	BLE160/230-240V	12	Deluxe Coated	170	75	3100	6000	4200	52	W12717285524
			BLE160/240-250V	12	Deluxe Coated	170	75	3100	6000	4200	52	W12717285534
250	ED90	E40	BLE250/230-240V	12	Deluxe Coated	227	90	5600	6000	4200	52	W13610295524
			BLE250/240-250V	12	Deluxe Coated	227	90	5600	6000	4200	52	W13610295534
500	ED120	E40	BLE500/230-240V	12	Deluxe Coated	292	120	14000	6000	4200	52	W16110285524

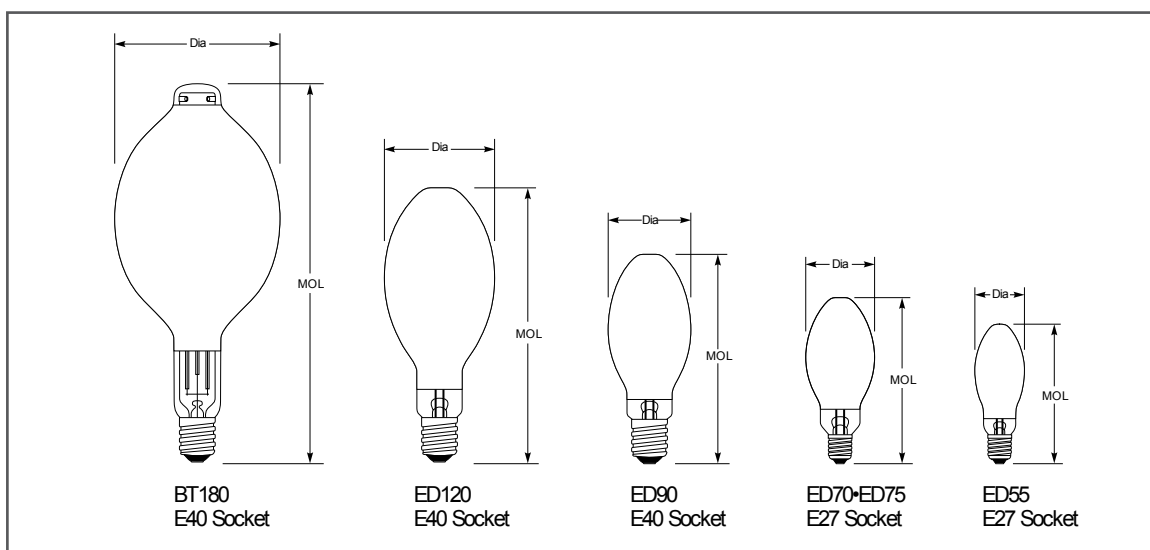
Dimensions are given in millimetres unless noted otherwise please dispose responsibly.



High Pressure Mercury Lamps

HIGH PRESSURE MERCURY LAMPS

- Long light output
- High light output
- Low operating cost



Rated Power	Glass Type	Socket	Matchcode	Packing Unit	Finish	Dimensions		Lumens		Color		Article No.
						MOL (mm)	LCL (mm)	Initial (lm)	Lifetime (Avg Hrs)	Temp (K)	CRI	
Mercury Vapor Lamps												
50	ED54	E27	HPM50/ED54/DM	12	Deluxe Coated	130	54	1800	6000	4200	40	W11617285414
80	ED70	E27	HPM80/ED70/DM	12	Deluxe Coated	156	70	3800	8000	4200	40	W11917245414
			B22d-3	HPM80/ED70/ B22d-3/DM	12	Deluxe Coated	156	70	3800	8000	4200	40
125	ED75	E27	HPM125/ED75/DM	12	Deluxe Coated	170	75	6300	8000	4200	40	W12367285414
			B22d-3	HPM125/ED75/ B22d-3/DM	12	Deluxe Coated	170	75	6300	8000	4200	40
250	ED90	E40	HPM250/ED90/DM	12	Deluxe Coated	227	90	13000	12000	4200	40	W13610295414
400	ED120	E40	HPM400/ED120/DM	12	Deluxe Coated	292	120	22500	12000	4200	40	W15110285414
1000	BT180	E40	HPM1000/BT180/DM	6	Deluxe Coated	390	180	56000	12000	4200	40	W21110375414

Dimensions are given in millimetres unless noted otherwise please dispose responsibly.



Headquarter Germany

Mattentwiete 5
20457 Hamburg
Germany

☎ +49 - 40 32 08 27 3
☎ +49 - 40 32 08 27 59

✉ mail@merkur-hamburg.de

Office United Arab Emirates

Level 41, Emirates Towers
Sheikh Zayed Road
P.O. Box: 31 303
Dubai - U.A.E.

☎ +971 - 43 13 28 92
☎ +971 - 43 13 27 53

Office Hongkong

Unit 1202, Level 12,
One Peking Building
1 Peking Road, Tsim Sha Tsui
Hongkong

☎ +852 - 39 80 92 25
☎ +852 - 39 80 92 34

Distributors

Afghanisatan

Liberty Corporation Co.
64m Street, Herat City
Afghanistan
☎ +937 - 99 69 44 81

Bahrain

Shaheen Group
P.O.Box 405
Manama
Kingdom of Bahrain
☎ +973 -17 81 35 35z

Cameroon

CALICO Sarl
BP 15566
Douala
Cameroon
☎ +237- 22 43 80 44

Ghana

Luminant Electricals
P.O. Box CT5204
Cantonment-Accra
Ghana
☎ +233 - 27 52 29 62 2

Lebanon

Tele Project
P.O. Box 55268
Sin el Fil
Lebanon
☎ +961 - 16 87 900

Oman

Trade Links and Services Co. LLC
P.O.Box 2901
Ruwi 112
Sultanate of Oman
☎ +968 - 24 70 67 75

Saudi Arabia

Ahmed Omer Bagazy Est.
P.O. Box 16367
Jeddah 21464
Saudi Arabia
☎ +966 - 26 47 29 28

Sri Lanka

Rotax Limited
332 Galle Road
Colombo 04
Sri Lanka
☎ +94 - 11 55 74 07 0

United Arab Emirates

Gilco Trading LLC
P.O. Box 4916
Daira, Dubai
United Arab Emirates
☎ +971 - 43 96 15 25

Yemen

Al Ashwal for Electrical Trade &
Agencies
Shoub Street
Sana'a
Yemen Republic
☎ +967 - 12 82 43 2